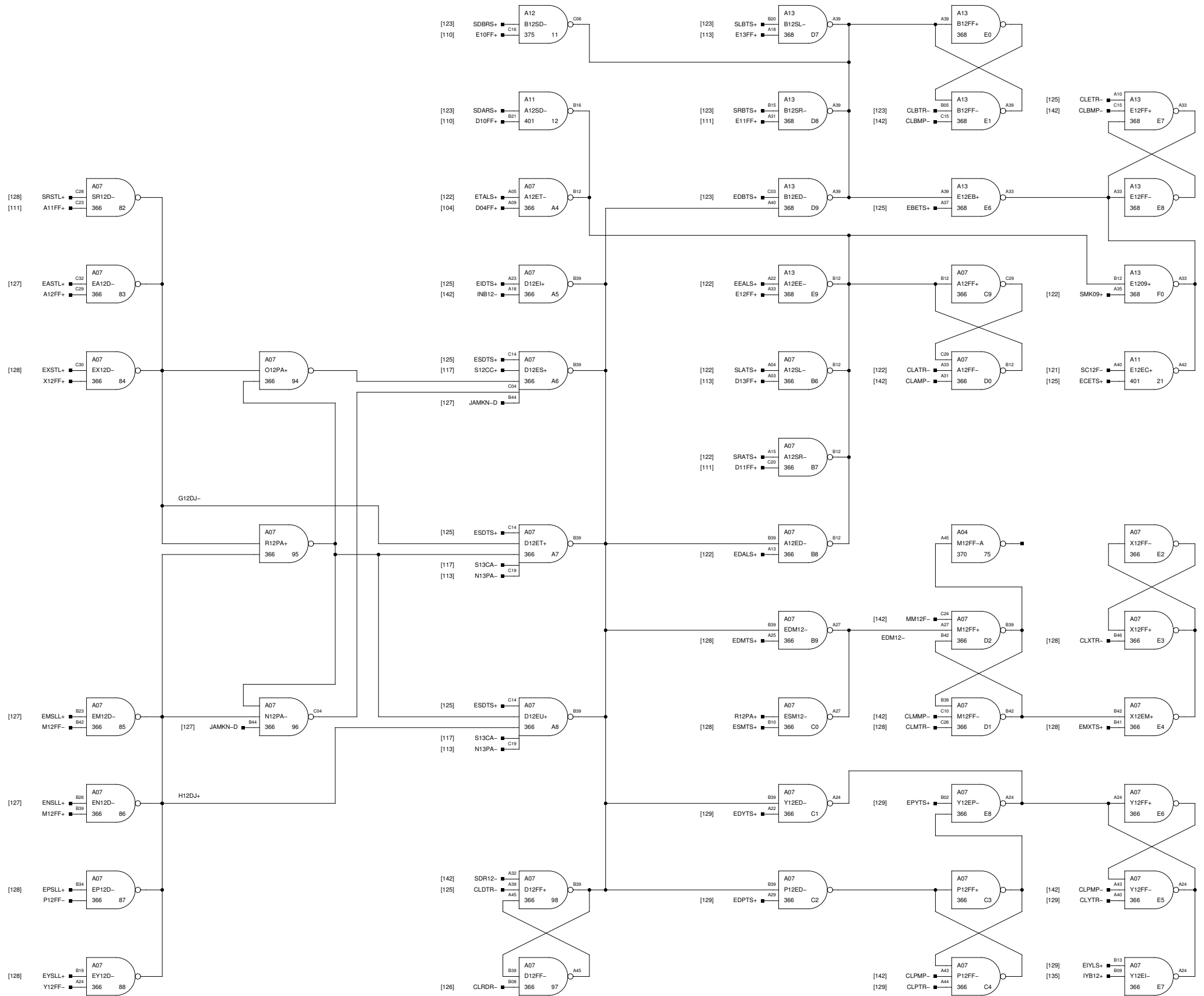


A B C D E F G H J K L M N P

LBD NO.
0.112



NOTES:
 △
 △
 △
 △

REV	DESCRIPTION	DATE
A		
B		

S. R. 54-3585
 ECO 7/48
 EXT CHANGES
 SEE ECO T.A.

HONEYWELL
 INC
 COMPUTER CONTROL DIVISION
 Old Connecticut Path, Framingham, Mass

DR. D. HAMEL
 ENG. K. IZBICKI
 APP.
 PROJECT NO. 55202

DATE
 11-26-68
 7-2-69

TITLE
 H-316
 COLUMN No. 12

SIZE DWG NO. REV.
 C 70024496 B