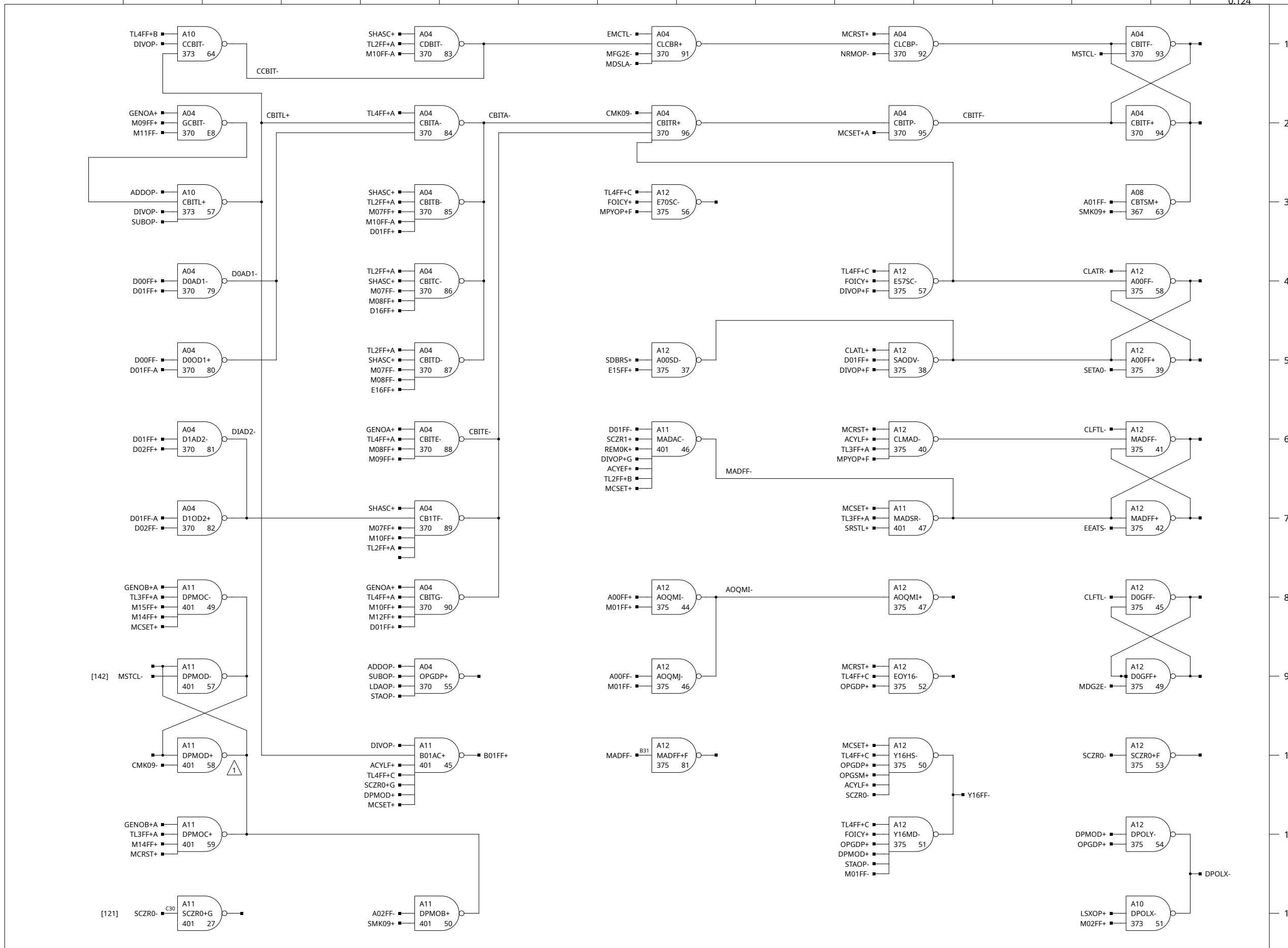


LBD NO.
0.124



NOTES:
 ⚠ THIS PT. IS GND WITH NO HSA OPTION
 △
 △
 △

CHK.	REV.	A
#	#	#
S. R. 54-3585		
ECO 7/48 EXT CHANGES SEE ECO TA.		
1/19/70		

HONEYWELL
INC
COMPUTER CONTROL DIVISION
Old Connecticut Path, Framingham, Mass

DR. D. HAMEL	DATE
ENG. K. IZBICKI	1-13-1969
APP.	7-2-69

PROJECT NO. 55202

TITLE H-316 CONTROL LOGIC C	
SIZE	DWG NO. 70024508
C	REV. B